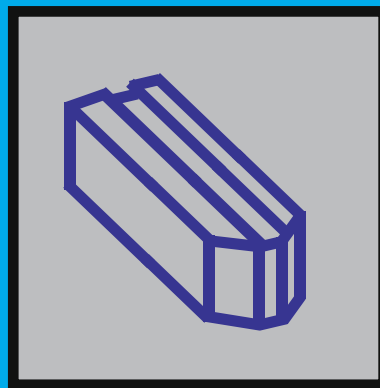
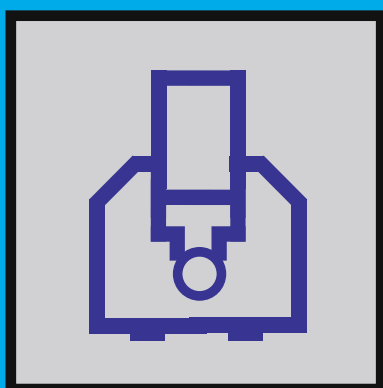
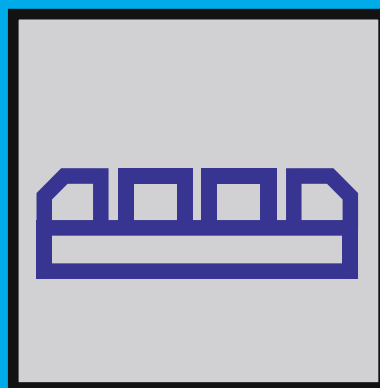
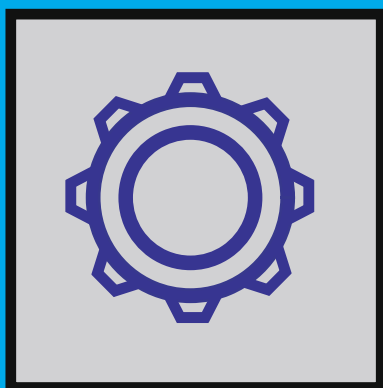


KASTR

CZECH FAMILY RUN BUSINESS

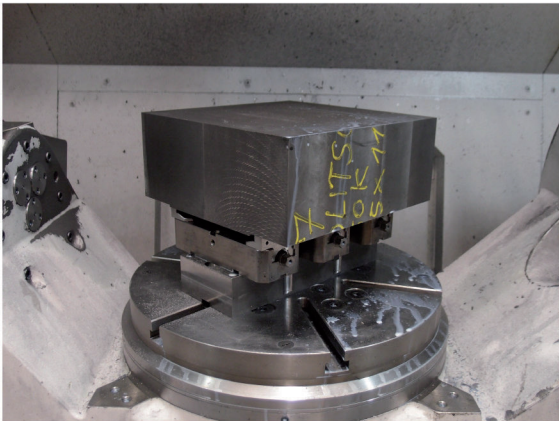


Miloslav Kaderka - KASTR



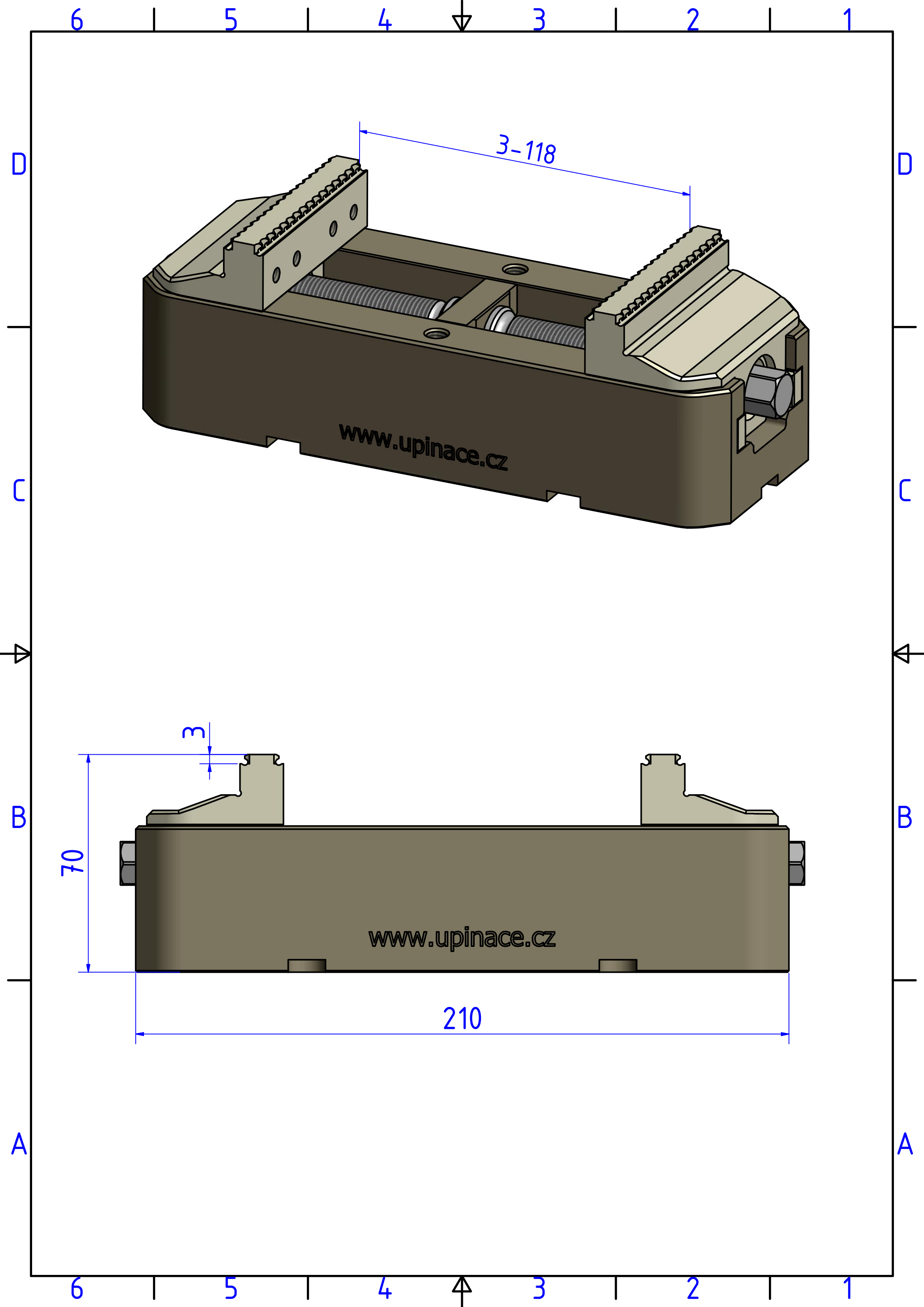
Revolution in clamping

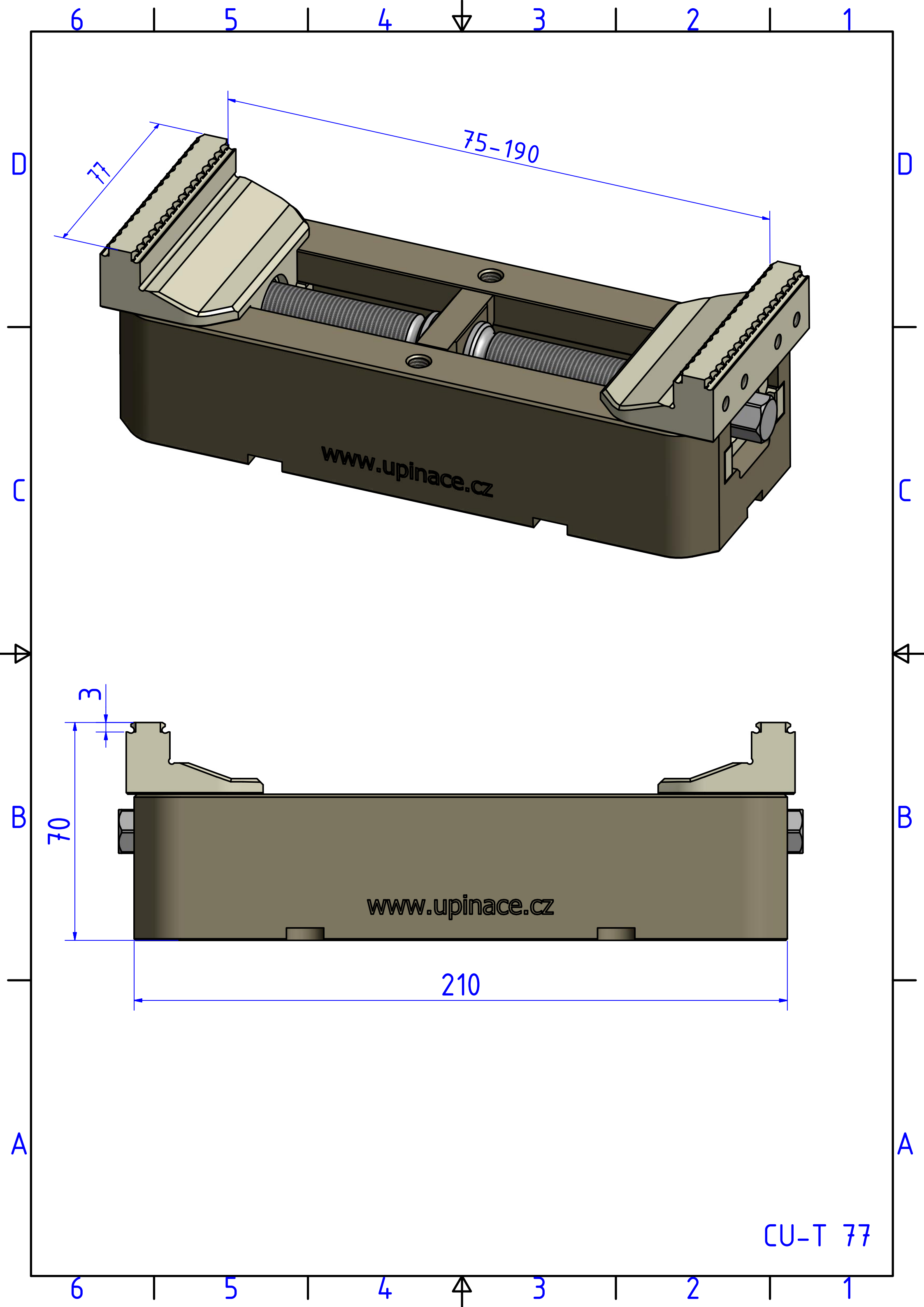
CU - T 77

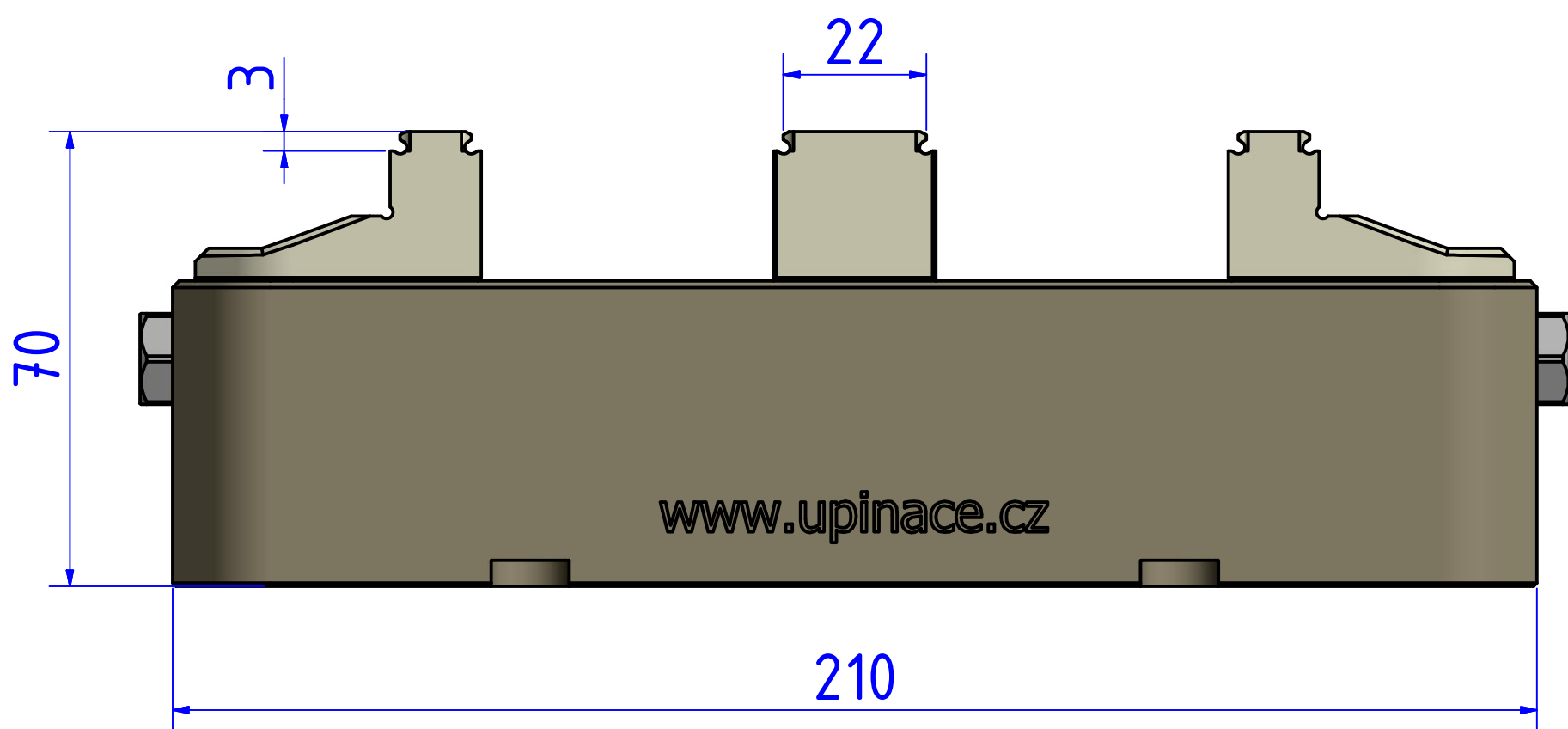
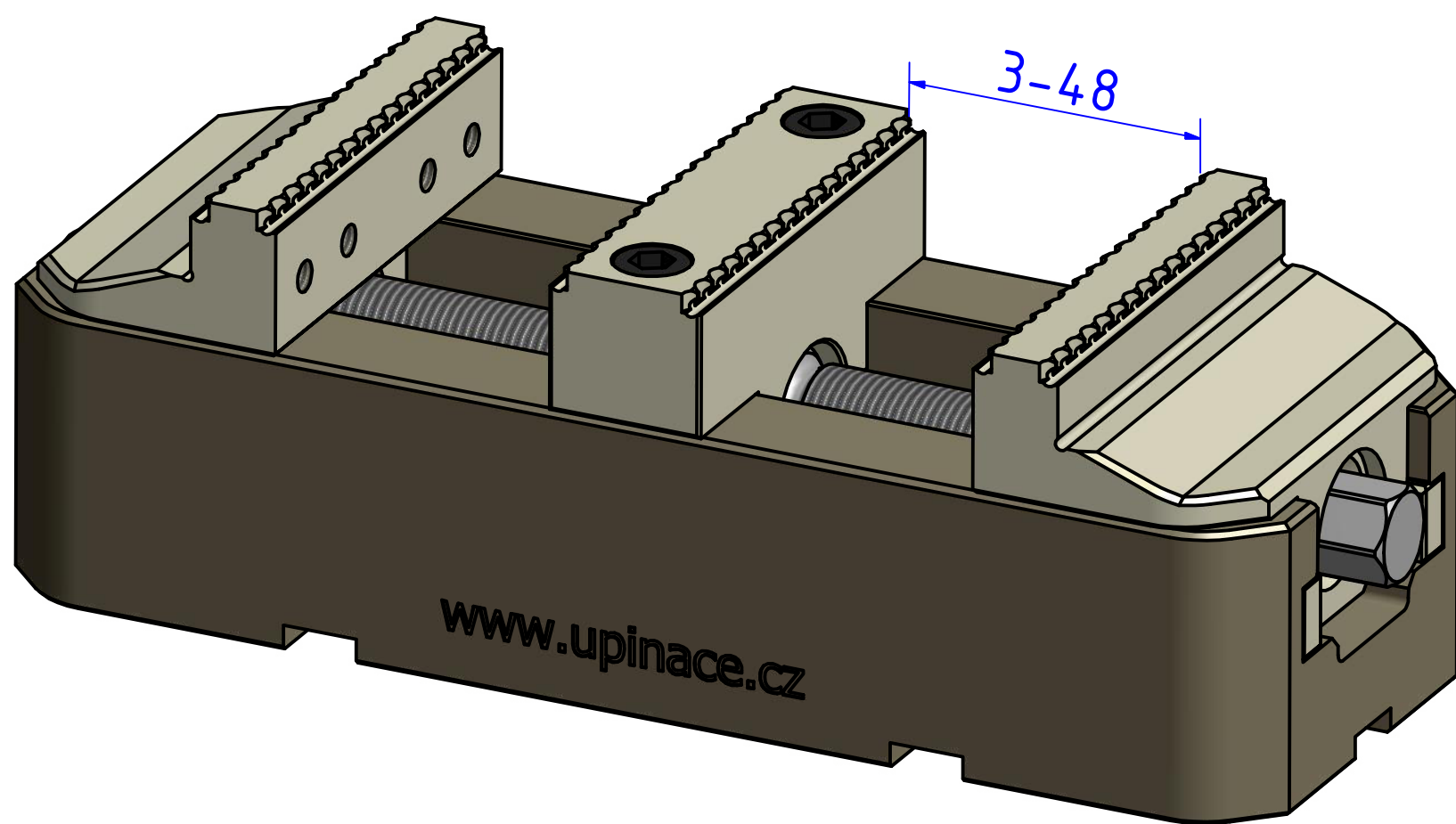


Manufactured on **1 clamps** by **3 mm**.

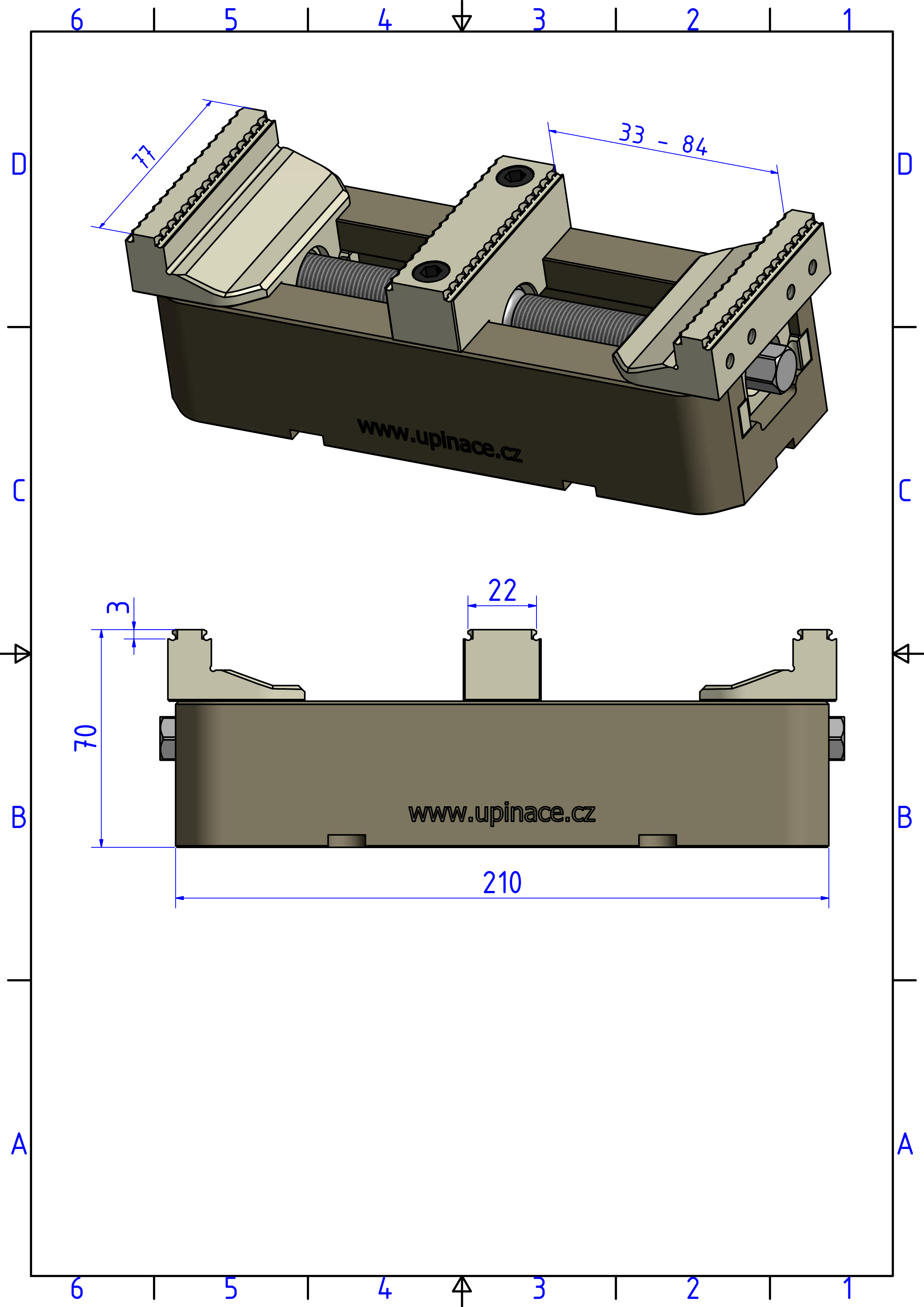
Body of RSVS-T







CU-T 77



KASTR

CZECH FAMILY-RUN BUSINESS

MILOSLAV KADERKA - KASTR
ROZHRANÍ 172
569 03 ROZHRANÍ
CZECH REPUBLIC

www.CNC-MACHINING.cz

email: kaderka@kastr.cz

tel: +420 461 523 457